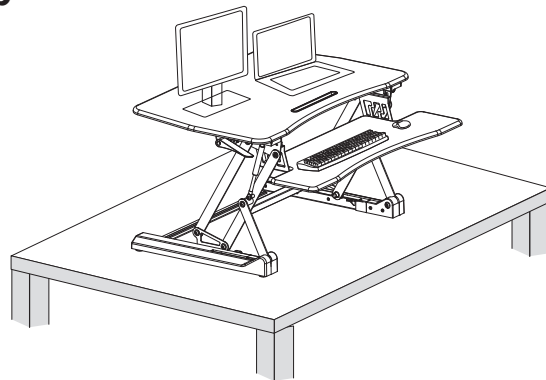
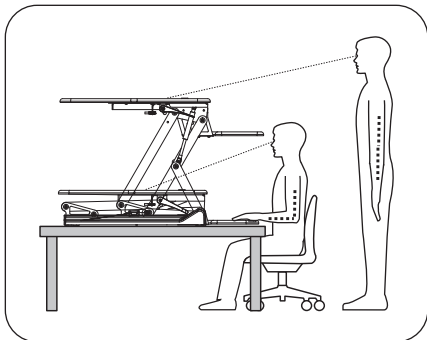
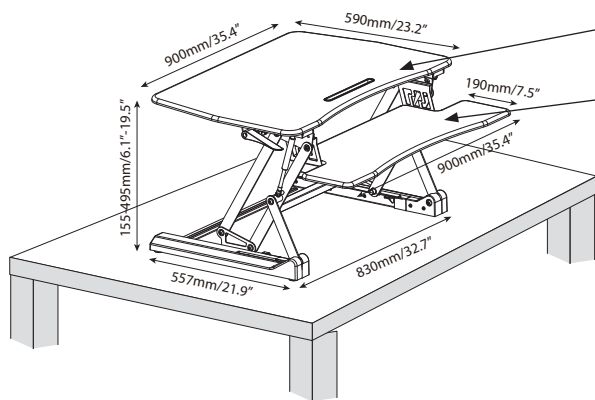


# MOUNTING INSTRUCTIONS

## Sit and Stand Desktop



### Features & Specifications



**A** LB kg 8.8-33lbs (4-15kg)

**B** LB kg ≤5lbs (≤2kg)

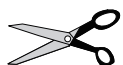
**A+B= 8.8-33 lbs (4 - 15 kg)**

**CAUTION: DO NOT EXCEED MAXIMUM LISTED WEIGHT CAPACITY. SERIOUS INJURY OR PROPERTY DAMAGE MAY OCCUR!**

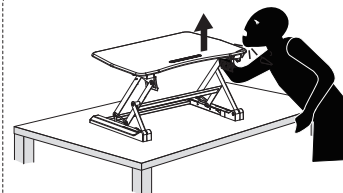
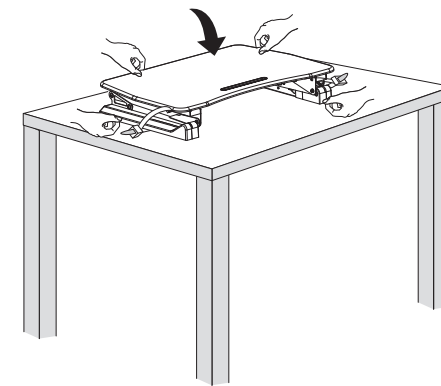
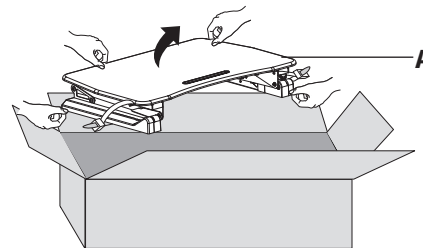
### Components

|   | A | B  | C  | D  | E        | F  | G  |
|---|---|----|----|----|----------|----|----|
| 1 |   |    |    |    |          |    |    |
|   |   | X2 | X1 | X6 | S=4mm X1 | X1 | X2 |

Tools required not included

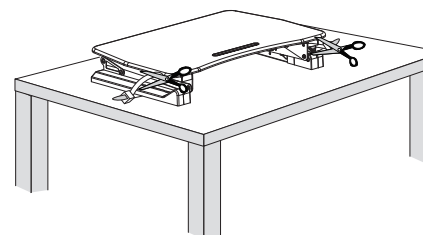


1

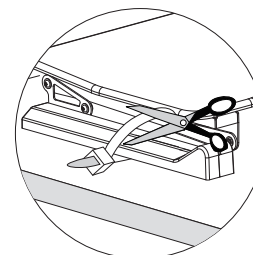
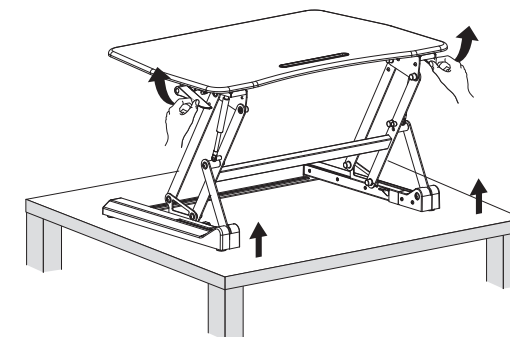


**Warning: Impact Hazard! Moving Parts can Crush and Cut.**

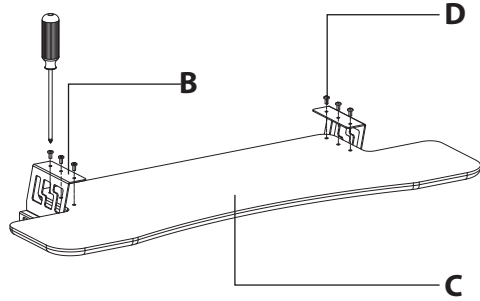
2



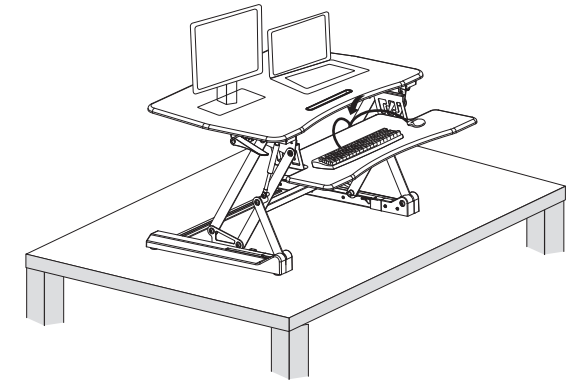
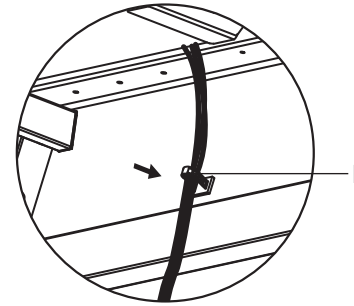
Press the handles in each side and lift the desktop



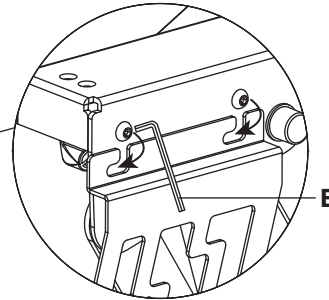
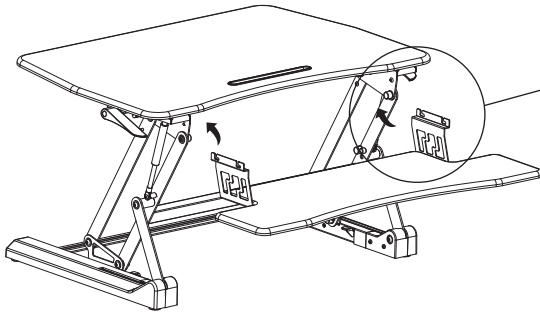
3



6

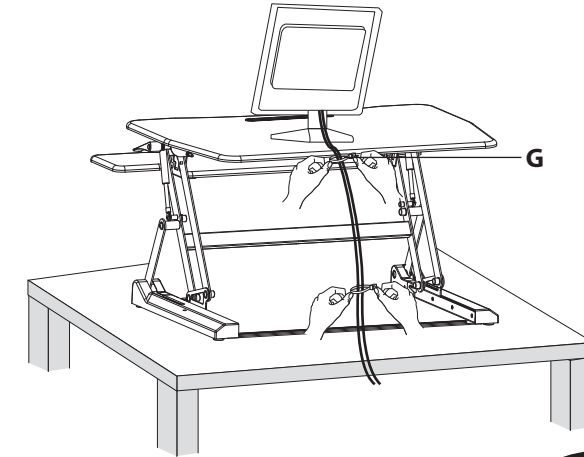


4

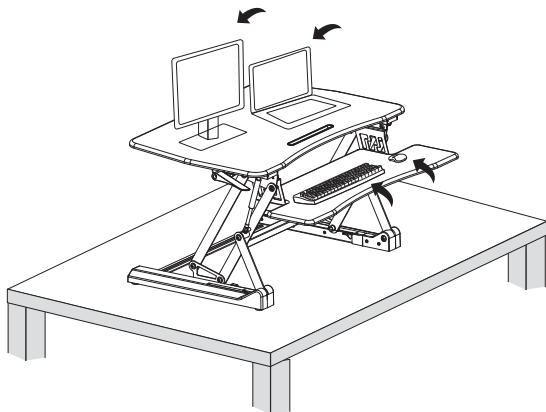


Insert the keyboard tray into the slot and fasten the screws using allen key.

7



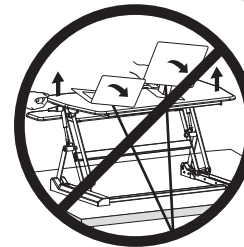
5



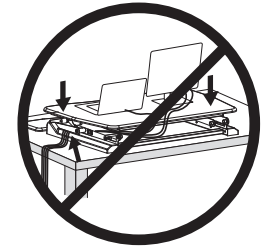
⚠ Keep monitor and laptop base fully on the worksurface. Allowing any part of base or stand to hang off the edge may result in property damage and or personal injury.



⚠ Raise worksurface slowly. Raising worksurface too fast may create an unstable situation resulting in property damage and or personal injury.



⚠ Leave enough slack in cable to allow for full range of vertical motion (15" / 38 cm). Failure to heed this warning may result in property damage and or personal injury.



⚠ To avoid the potential to pinch cables it is important to follow the cable routing instructions in this manual. Failure to follow these instructions may result in equipment damage or personal injury.

**! WARNING**

**PINCH POINT**

DO NOT place hands on or near support bars. Pinch points are created during lifting and lowering the worksurface. Failure to follow these instructions may result in serious personal injury.

